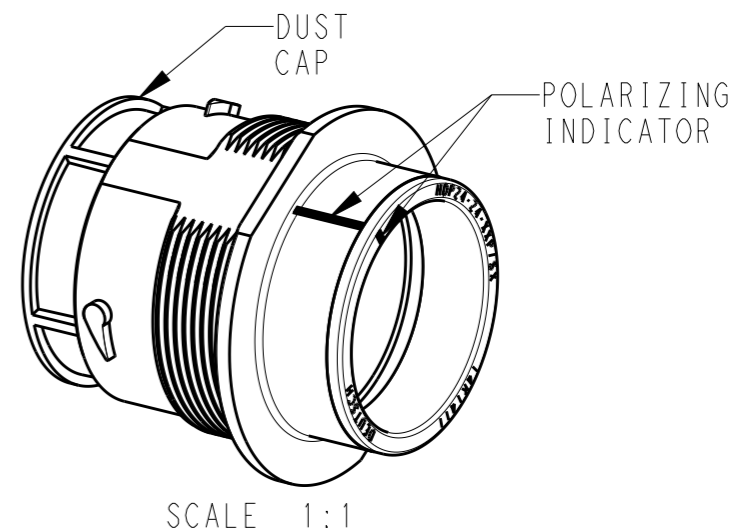
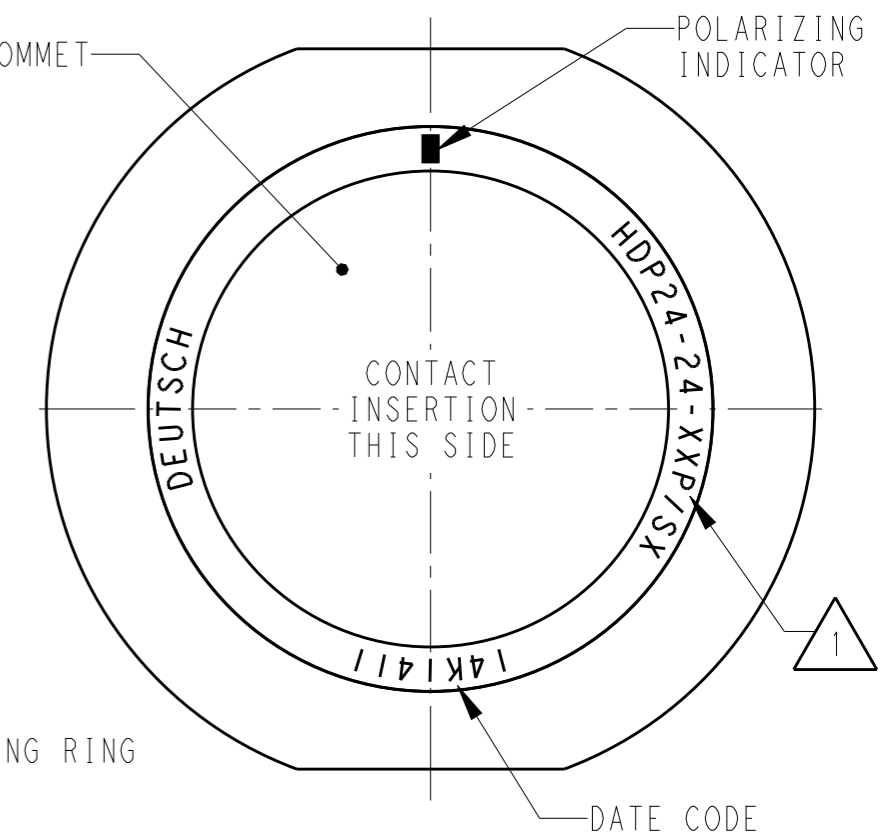
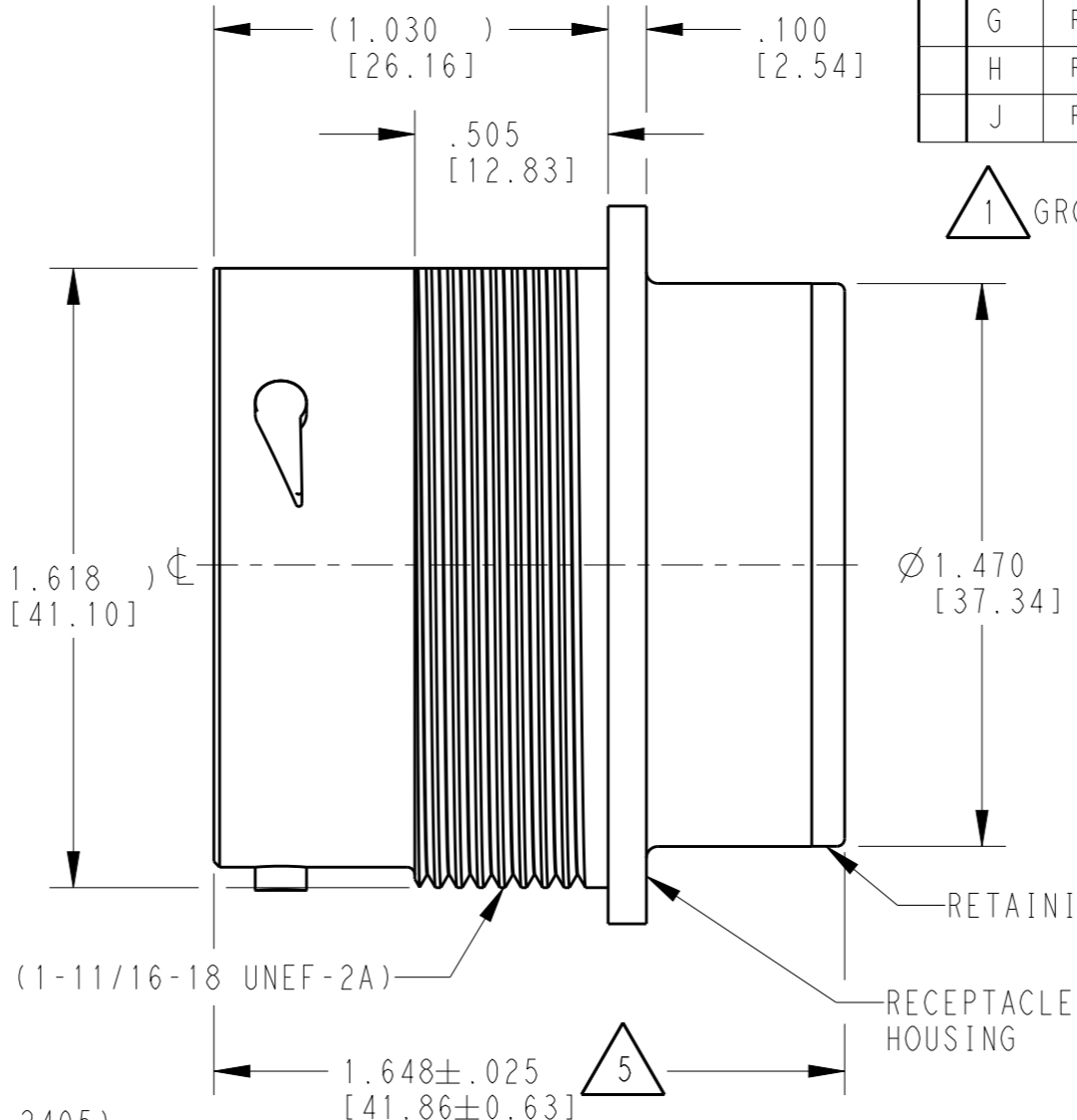
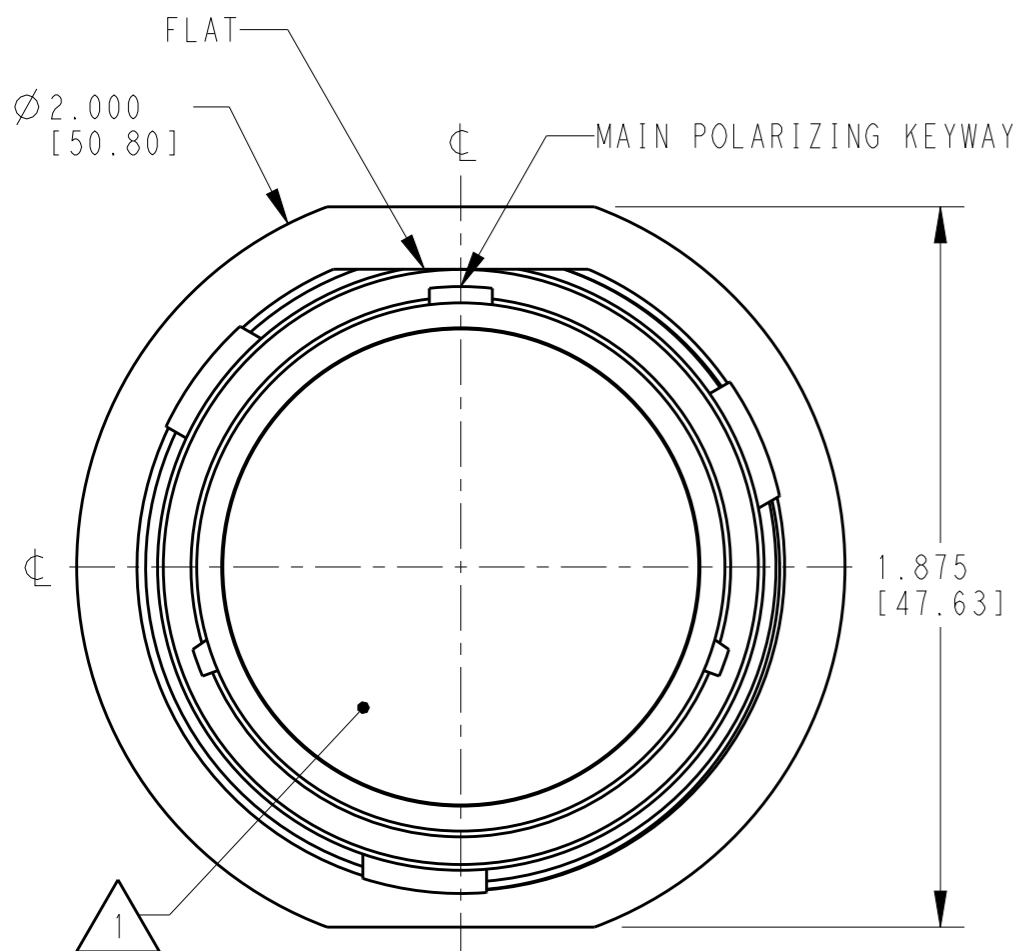


| P | LTR | DESCRIPTION | DATE | DWN | APVD |
|---|-----|---------------------------|-----------|-----|------|
| F | | REVISED PER E.O. P18119 | 14APR2003 | AR | RDR |
| G | | REVISED PER E.O. P18449 | 04FEB2004 | XS | RDR |
| H | | REVISED PER E.O. P21391 | 15JUN2012 | AM | RDR |
| J | | REVISED PER ECO-14-019072 | 23FEB2015 | JA | DM |



- 6. RECEPTACLE IS SUPPLIED WITH DUST CAP (2415-001-2405).
- 5. NOTED DIMENSION DOES NOT INCLUDE GROMMET PROTRUSION.
- 4. MATERIAL: RECEPTACLE HOUSING: PA66 GF10 (BLACK)
 RETAINER RING: PA66 GF10 (GREEN, GRAY, BLUE)
 GROMMET: SILICONE (ORANGE-RED)
- 3. SEE 0425-021-0000 APPLICATION SPECIFICATION
 A. RECOMMENDED WIRE INSULATION RANGE
 B. CONTACT REMOVAL TOOLS
 C. RECOMMENDED MOUNTING HOLE & PANEL THICKNESS
 D. MOUNTING HARDWARE & MOUNTING TORQUE.
- 2. THIS RECEPTACLE MATES WITH HDP26-24-XXP/SX-XXXX PLUG
 X = SEAL TYPE (N,T,E)
 XX = INSERT ARRANGEMENT
 XXXX = MODIFICATION
- 1. SEE CUSTOMER DRAWING, 0425-014-2400 FOR AVAILABLE INSERT ARRANGEMENTS AND PART NUMBERS.

NOTES:

| | | | | | |
|---|---|------------------|---------------|-----------------|---|
| THIS DRAWING IS A CONTROLLED DOCUMENT. | | DWN | 03MAR2000 | TE Connectivity | NAME RECEPTACLE, THREADED SIZE 24 HDP SERIES |
| | | CHK | 04FEB2004 | | |
| DIMENSIONS: INCHES [mm] | | APVD | 16JAN2004 | SIZE | A3 |
| | | PRODUCT SPEC | 0425-021-0000 | CAGE CODE | 4AFU8 |
| TOLERANCES UNLESS OTHERWISE SPECIFIED: | | APPLICATION SPEC | 3 | DRAWING NO | Ⓢ-HDP24-24-XXP/SX |
| 0 PLC ± 1 PLC ± 2 PLC ± 3 PLC ±.015 [0.38] 4 PLC ± ANGLES ±0°30'0" | | WEIGHT | | RESTRICTED TO | - |
| MATERIAL | 4 | FINISH | N/A | SCALE | 2:1 |
| Customer Drawing | | | | SHEET | 1 OF 1 |
| | | | | REV | J |